

TOSO

CURTAIN TRUCK

New Delac, Supertrac Cord

NO.C – 0442901

Instruction Manual

Thank you for purchasing TOSO product.

To ensure safe use of this product, please read instructions carefully before use and keep this manual for the future reference.

Guide for Distributors and Installation Contractors

This manual is written for our customers to properly use our products, with warnings and cautions. Please make sure to provide this to customer.



Warning

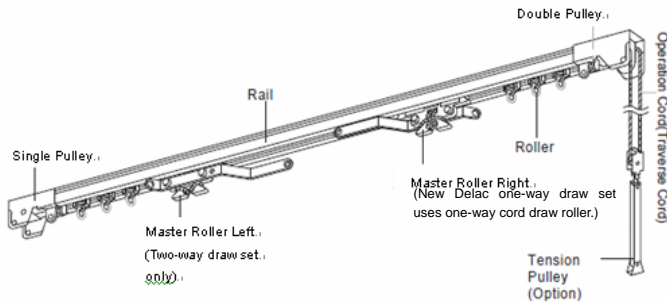
- 1 Do not hang anything on the product or hang on to it in order to avoid damage to the product and prevent it from falling off.
- 2 Do not allow children to play with the operation cord, as the cord could present a risk of entanglement and accident



Caution

- 1 Make sure that the underlying backing material is suitable for installation. (Be sure to mount the specified number of brackets in order to prevent the product from falling. The brackets are optional parts.)
- 2 This product is for curtains. It should not be used for other applications.

Product Drawing and Names of Parts



Numbers of Components

Products	Spec	Rail	Roller	Pulley Set	Master Roller	Traverse Cord
New Delac Cord	One-way Draw	1pc (*1)	8pcs/m (*3)	1pair	One-way/Master Roller : 1pc	Width × 2 + Height × 2 + 500mm
	Two-way Draw				Master Roller Right and Left: 1 pair	
Supertrac Cord	One-way Draw	1pc (*2)	8pcs/m (*3)	1pair	Master Roller Right: 1pc	Width × 2 + Height × 2 + 500mm
	Two-way Draw				Master Roller Right and Left: 1 pair	

*1 Rail length will be equivalent to the product width - 80mm (single pulley side: 40mm; double pulley side: 40mm).

*2 Rail length will be equivalent to the product width - 126mm (single pulley side: 63mm; double pulley side: 63mm).

For product width of 5,000mm or more, the rail product will be of the joint type ("Cord Joint Type" at the center portion of the product).

*3 Measurement fractions should be rounded up (for two-way draw sets, fractions should be rounded up to an even number).

Installation

- 1 Remove the stops on the single pulley and double pulley sides of the cord-draw set and insert the required number of rollers.

*Be careful to prevent the traverse cord from becoming entangled with the master roller or other rollers. (See Figure 1.)

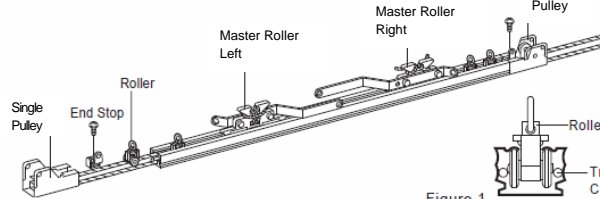
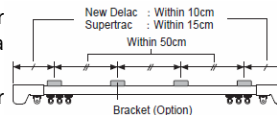


Figure 1
* Pass the separator cord through the position shown here to prevent it from becoming entangled with the crossing-cord draw runners or other runners.

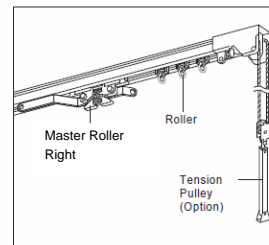
- 2 Fasten the stops for single pulley and double pulley and install the product in the ceiling or wall. (Purchase the necessary number of mounting brackets separately.)

* Determine the mounting spacing for brackets using the illustration at right as a guide.

* When installing the product, watch for possible slack in the traverse cord, to ensure that the traverse cord does not become entangled with the master roller or other rollers.



- 3 Hook the operation cord on the tension pulley (option).
- 4 Untie the knot in the cord on the master roller right, pull the cord, and tie it again. Trim the surplus portion of the cord.



* For one-way draw set, optional is now complete. For two-way draw set, proceed to step 5 and 6.

- 5 Pull the traverse cord and bring the master rollers (right and left) to both ends.
- 6 Pull the band on the left-hand side of the master roller to the left with pinchers or pliers, and hook the cord as illustrated in Figure 2.

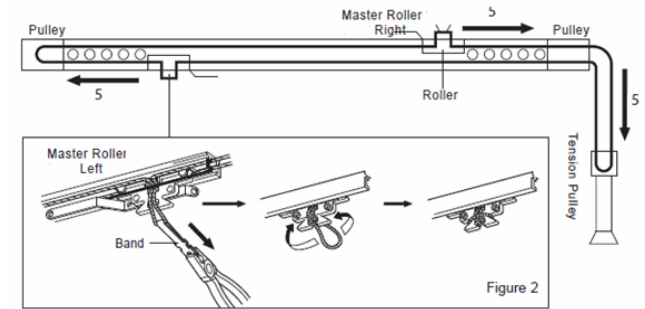
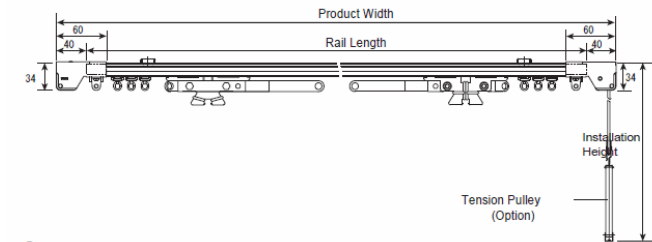


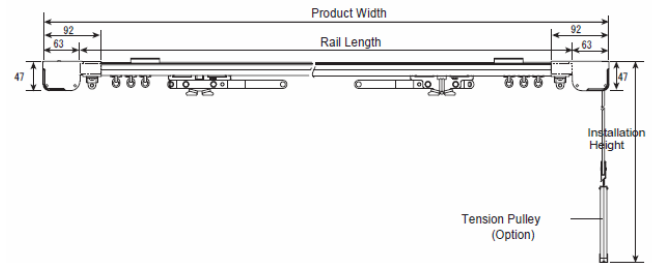
Figure 2

Installation Diagram (mm)

Newdelac (Two-way Draw)



Supertrac (Two-way Draw)



Maintenance

- Do not use a thinner or other chemical for cleaning, as they may discolor or deform the product.
- To clean the product, wipe it using a soft, dry clean cloth.